

LFCO-HL-600W-50K-TR



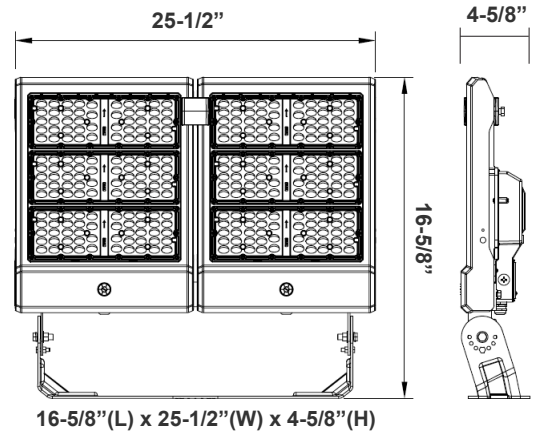
Ideal for general site lighting, alleys, loading docks, doorway, pathway, and parking areas.

Customer Name: _____

Project Name: _____

Note: _____

Type: _____



Features

- LED Flood Light
- With snap-on & bolt mounting options for one-person Installations.
- Select a mounting option (Sold separately)
- 70,000 Hours Rated Life
- 7-Year Warranty
- Optic Lens Type: III

Technical Specifications

Electrical:

- Voltage: 100-277VAC 50/60Hz
- Wattage: 600W
- Power Factor: >0.9
- Output Current: 0.25A
- Efficacy: 143 LPW
- THD: <20%

Mechanical:

- Housing: Die-cast Aluminum Housing with Powder Coat Finish (Dark Bronze)
- 6KV Lightning Surge Protection
- IP Rating: IP65
- Operating Temperature: -40°F to 104°F
- Suitable for Wet Locations

Lighting:

- Dimmable: 0~10V Dimming
- LED: Philips Lumileds 5050 LED
- Solid State Lighting technology for long life, no Maintenance needed and High-Efficiency
- Cord Type: 3.2' SJTW 18/3 AWG cable
- Total lumens: 86000LM
- Color Temperature: 5000K
- Color Rendering index: CRI ≥ 70
- Beam Angle: 140°x80°

Applications:

- Ideal for general site lighting, alleys, loading docks, doorway, pathway and parking areas.
- Replace existing HID flood lights/ wall packs

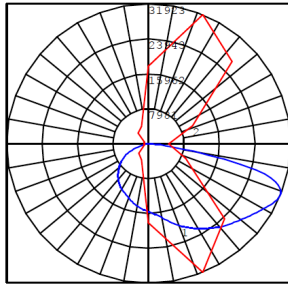
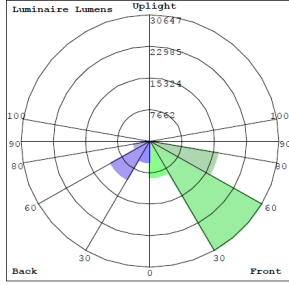
Other Models:

- | | | |
|--------------------------------|----------------------------------|----------------------------------|
| • 50W 6900LM LFCO-50W-40K | • 100W 14000LM LFCO-150W-40K | • 230W 30100LM LFCO-230W-40K |
| • 50W 6900LM LFCO-50W-50K | • 100W 14000LM LFCO-150W-50K | • 230W 30100LM LFCO-230W-50K |
| • 80W 10800LM LFCO-80W-40K | • 150W 19900LM LFCO-150W-40K | • 300W 41000LM LFCO-300W-40K |
| • 80W 10800LM LFCO-80W-50K | • 150W 19900LM LFCO-150W-50K | • 300W 41000LM LFCO-300W-50K |

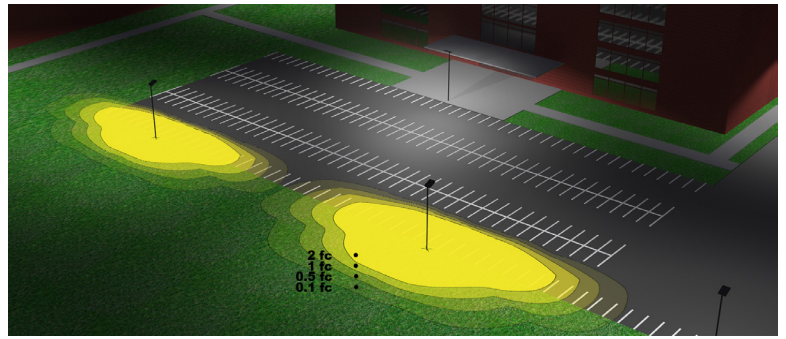


Photometrics: LFCO-600W

TYPE III



BUD Rating: B5-U1-G5



Area 142'x 247' Mounting Height: 30'

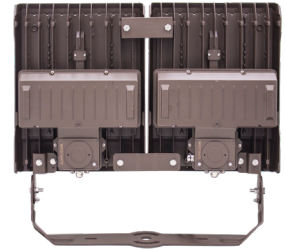
Other Views:



Front View



Side View



Back View

Performance Table: LFCO-600W

MODEL NO.	Wattage	Voltage	Lumens	Color Temp.	BUG Rating	LPW
LFCO-HL-600W-50K-TR	600W	120~277V	86000LM	5000K	B5-U1-G5	143

Sample Ordering

Model Wattage Color Temp.

LFCO - HL - 600W - - TR
50K = 5000K

Accessories Options

Blank = No Option For Accessories
WEC-7RC = Remote Control

Factory-Installed Options

Blank = No Option For Accessories
OPT-EM-OD2EXT = Emergency Battery Backup
OPT-3MPC = Electronic
OPT-SEN-3MR-3 = Programmable Microwave Bi-Level Sensor

Example:

1.LFCO-600W-50K-TR (For LFCO 600W 5000K fixture 120-277V)
2.LFCO-600W-50K-TR (For LFCO 600W 5000K fixture 120-277V)
WEC-7RC (Remote Control)
OPT-SEN-3MR-3 (Programmable Microwave Bi-Level Sensor)

MOUNTING OPTIONS



LFCO-SF
Adjustable Slip Fitter for
Pole Mount 2"—2-1/2"



LFCO-SA
Straight Arm for Shoe Box
Applications
Fits Square & Round Poles
3" Wide

MOUNTING ADAPTER COMES WITH FIXTURE



FRONT VIEW



SIDE VIEW



BACK VIEW

ACCESSORIES AND MOUNTING OPTIONS



OPT-SEN-3MR-3



OPT-3MPC



WEC-7RC



OPT-EM-OD2EXT

